



PureInstall MicroX4 - USB4 Gen2 USB-C Cable, Passive

PureInstall MicroX4 USB-C Cable: Combined Data, Video and Power for ProAV Integration

This PureInstall MicroX4 type-C cable utilises advanced micro-coaxial cable technology, which offers improved signal transmission compared to traditional twisted pair designs. This cable's fully passive construction eliminates the need for active chipsets, allowing compatibility even at lengths up to 5 metres without risking signal integrity or device conflicts. The micro coax design also increases mechanical robustness and flexibility, supporting durable installations in demanding AV environments.

When combined with the TLS (Tru-Lock-System) clip – a secure, colour-coded locking mechanism – MicroX4 cables ensure reliable connections in fixed setups such as racks, podiums, or signage systems. Suitable for high-throughput data, video, and Power Delivery, this cable selection is designed for applications ranging from rack-mounted hardware to BYOD environments and conferencing solutions.

- **High-Speed Data Transfer:** USB4 Gen2x2 supports data rates up to 20Gbps (4.00m-5.00m up to 10Gbps, USB 3.2 Gen1x2). The passive cable design ensures backward compatibility with USB 3.x and 2.0 devices, enabling seamless integration into existing systems without the need for active electronics or repeaters.
- **Enhanced Signal Integrity:** Silver-plated copper (SPC) conductors reduce electrical resistance and are optimised for high-frequency transmission. This ensures stable signals over longer distances and reduces jitter in high-resolution AV applications.
- **Secure TLS Locking Mechanism:** The TLS (Tru-Lock-System) ensures a secure, colour-coded locking connection – perfect for fixed installations in racks, podiums, or conference situations where accidental disconnections must be avoided.
- **Electromagnetic Interference Protection:** The micro-coaxial design with full shielding and precise impedance control, is engineered to minimise electromagnetic interference (EMI) in electrically noisy environments such as power lines or RF sources.
- **Power and Video via Single Cable:** Integrated EPR (Extended Power Range) e-markers support USB PD 3.1 up to 240W (3.00-5.00m up to 100W SPR) with 48V / 5A, making it ideal for powering demanding devices such as mini-PCs or docking stations. DP Alt-Mode supports video resolutions up to 8K at 30Hz or 4K at 144Hz for high-performance display setups.

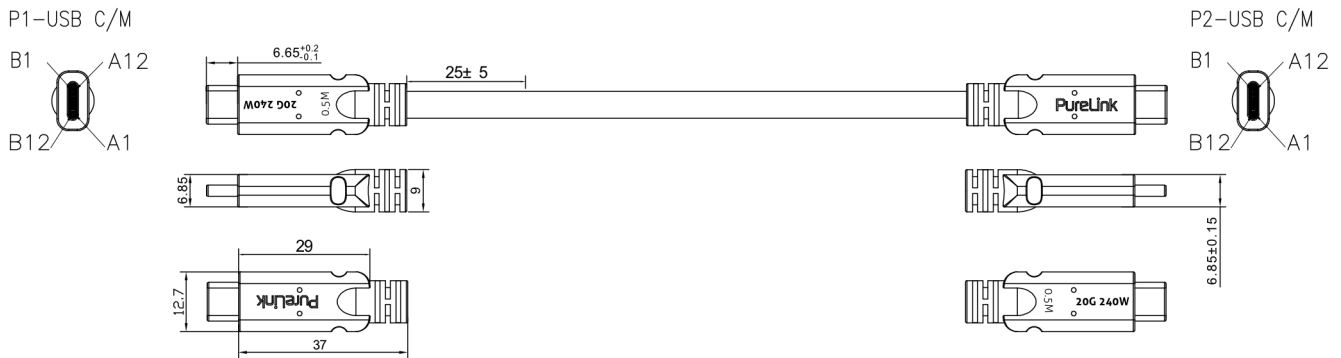
Practical Solution for Combined Signal and Power Transmission

This MicroX4 USB-C cable is the ideal choice for AV professionals requiring high data throughput, long cable runs, and unified data, video and power transmission. Its passive design and compatibility guarantee compatibility, even with devices not yet on the market.



Features

- Passive USB4 Gen2x2 – 20Gbps (4.00m-5.00m up to 10Gbps), downward compatible
- Silver-plated copper (SPC) conductors for lowest possible resistance
- USB-C male to USB-C male, compatible with TLS locking
- Micro coax data transmission for improved noise rejection, greater flexibility and range
- E-marker, USB PD 240W 48V / 5A EPR (3.00-5.00m up to 100W SPR) up to 8K 30Hz



Specifications

Cable	
Cable standard	USB 20Gbps 240W
Cable jacket material	Polyvinyl Chloride (PVC)
Cable jacket characteristics	Soft
Cable shape	Round
Cable fire class	UL VW-1
Cable length detection	Yes
Cable colour	Black
Cable shielding	Tripple shielded
Shield materials	Tinned copper braid, Aluminium foil + Mylar layer
Additional cable components	Micro Coax (Data lines)
Conductor material	Silver-Plated Copper (SPC)
Raw Cable Rated voltage	30 V
USB	
USB version	USB4 Gen 2x2
USB data rate	20 Gbit/s
DP Alt mode	Yes
Maximum resolution (USB)	7680×4320p
USB Power Delivery revision	USB PD 3.1
USB port current	5 A
Fast charging	No
Vendor code	0x35F8
e-Marker	Yes
General Information	
Operating temperature (T-T)	from 0 °C to 60 °C
Certification	RoHS

Connection	
Connector material	Copper
Connector housing material	Polyvinyl Chloride (PVC)
Connector contacts plating	Gold-plated
Connector shielding	Yes
Connector shield material	Steel SPCC
Connector 1 standard	USB-IF
Connector 1	USB Type-C (Gen2)
Connector 1 gender	Male connector
Connector 1 form factor	Straight
Connector 1 lockable	No locking
Connector 1 pinout	22+1 (Type-C full feature)
Connector 1 dimensions (WxDxH)	from 99 to 88
Connector 2 standard	USB-IF
Connector 2	USB Type-C (Gen2)
Connector 2 gender	Male connector
Connector 2 form factor	Straight
Connector 2 lockable	No locking
Connector 2 pinout	22+1 (Type-C full feature)
Connector 2 dimensions (WxDxH)	from 88 mm to 99 mm
Features	
Connector adapter	No





Removable Screw Lock

Unique removable TLS locking clip for fixed installations.



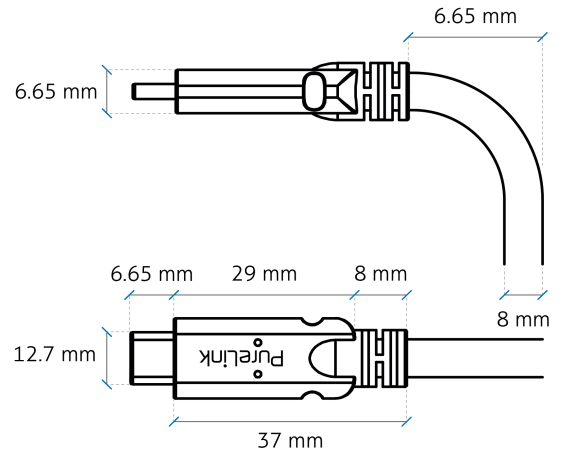
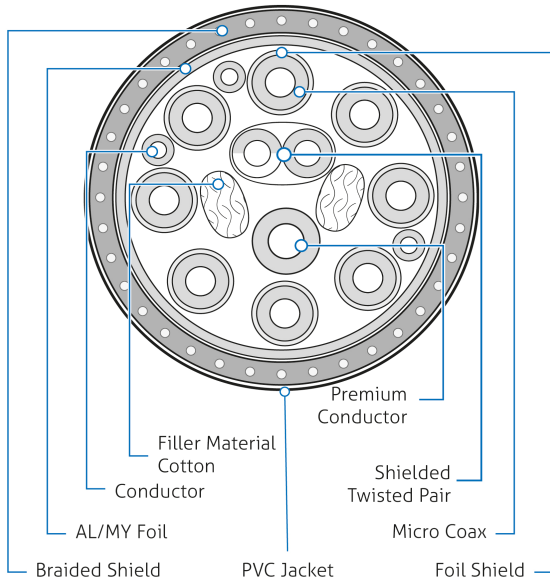
More Info:



Micro Coax Technology

Longer range, higher bandwidth, ultra-thin and flexible.





Overview

Parent	Art.-Nr.	Cable diameter	Minimum bending radius (fixed installation)	Cable length	Primary conductor gauge (AWG)	USB Power Delivery revision	USB port voltage	Maximum resolution (USB)	EAN
PI6600	PI6600-005	5 mm	30 mm	0.5 m	30	USB PD 3.1	-	7680×4320p	4251364751084
	PI6600-010	5 mm	30 mm	1 m	30	USB PD 3.1	-	7680×4320p	4251364751091
	PI6600-015	5 mm	30 mm	1.5 m	30	USB PD 3.1	-	7680×4320p	4251364751107
	PI6600-020	5 mm	30 mm	2 m	30	USB PD 3.1	-	7680×4320p	4251364751114
	PI6600-030	5.7 mm	34.2 mm	3 m	28	USB PD 3.0	20 V	7680×4320p	4251364751121
	PI6600-040	5.7 mm	34.2 mm	4 m	28	USB PD 3.0	20 V	3840×2160p	4251364751138
	PI6600-050	5.7 mm	34.2 mm	5 m	28	USB PD 3.0	20 V	3840×2160p	4251364751145

© 2025 PureLink. PureLink, the PureLink logo and other PureLink marks are owned by PureLink and may be registered. All other trademarks are the properties of their respective owners. PureLink assumes no responsibility for any errors that may appear in this publication. Product, pricing and feature information contained herein is subject to change without notice.



Contact us at
www.purelink.de

+49 5971 800 299-0
info@purelink.de



PureLink GmbH
 Von-Liebig-Str. 10
 48432 Rheine
 Germany

PureLink UK LTD.
 Carpenter Court, 1 Maple Road
 Bramhall, Stockport - Cheshire SK7 2DH
 United Kingdom

v07-2025