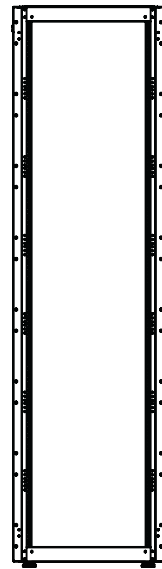
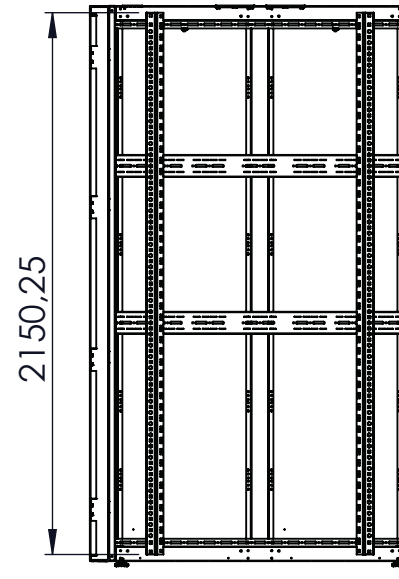


FRONT VIEW

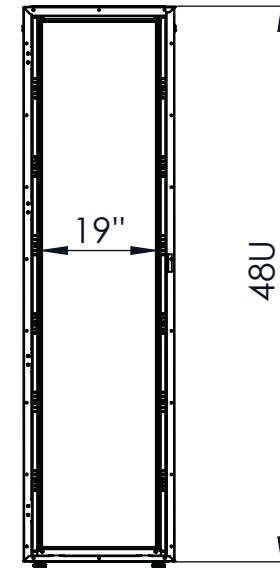
SIDE VIEW



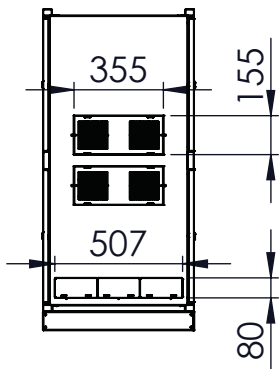
REAR VIEW



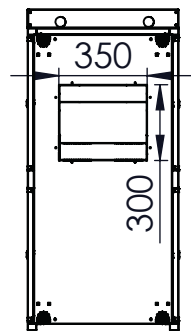
SIDE INSIDE VIEW



FRONT INSIDE VIEW

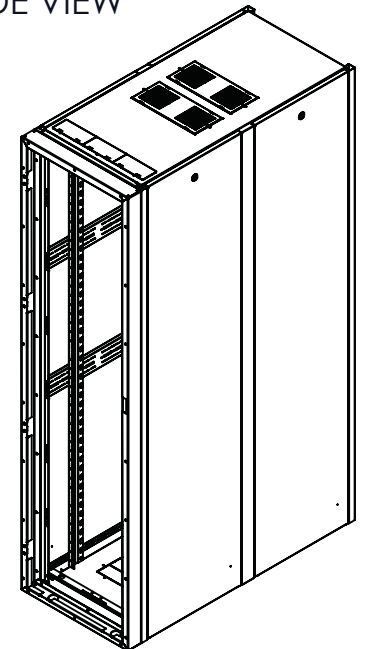


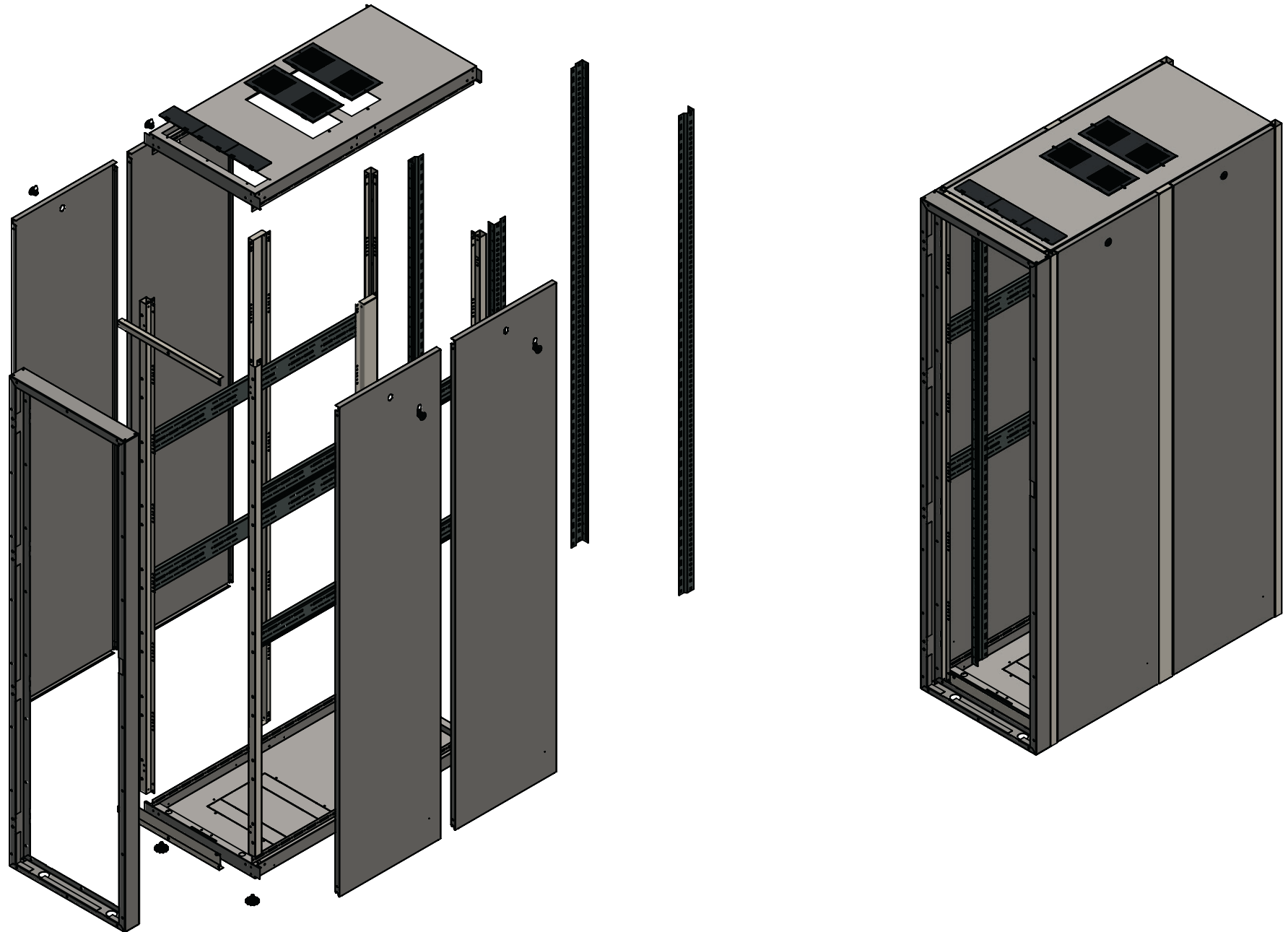
TOP VIEW

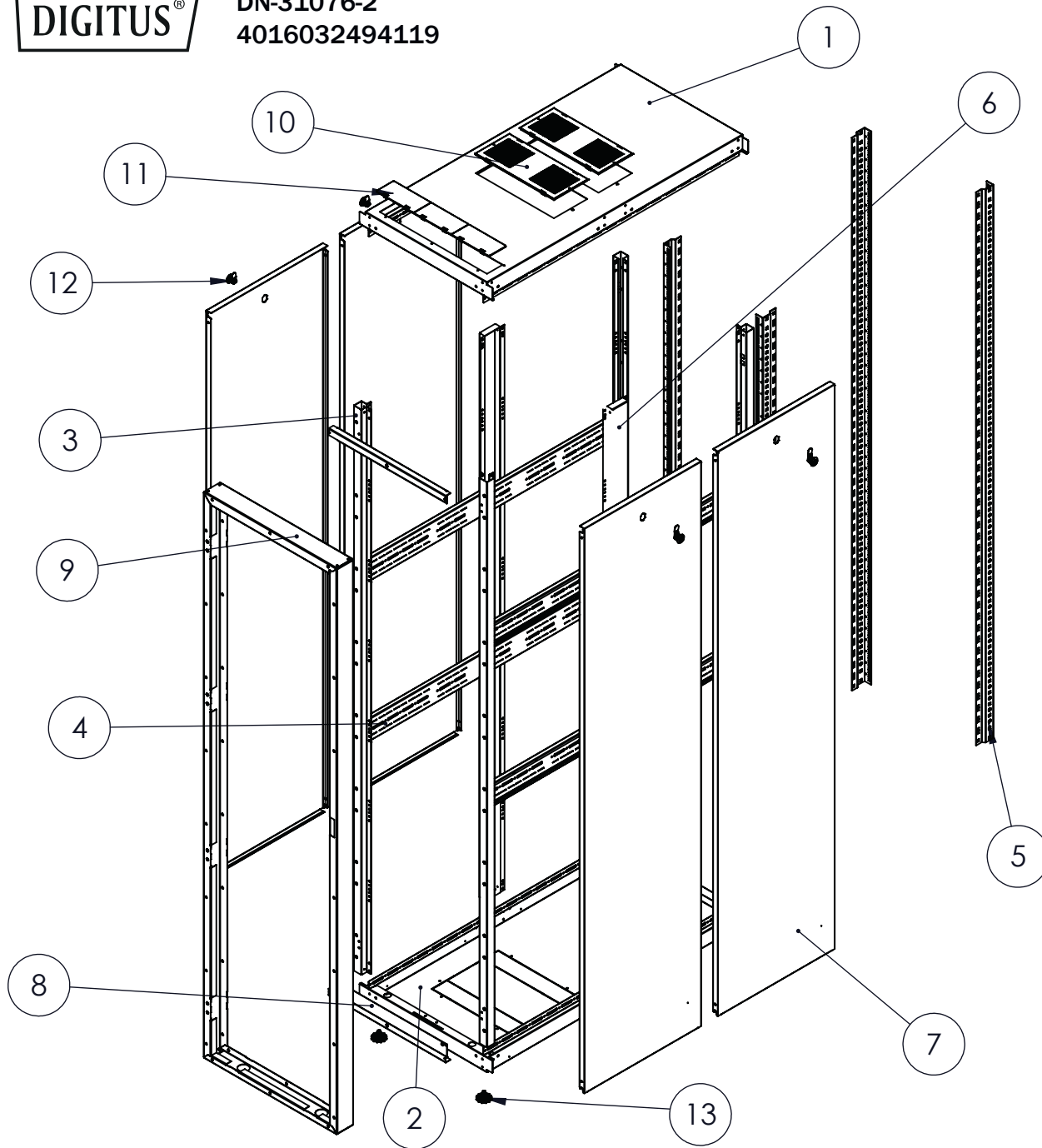


BOTTOM VIEW

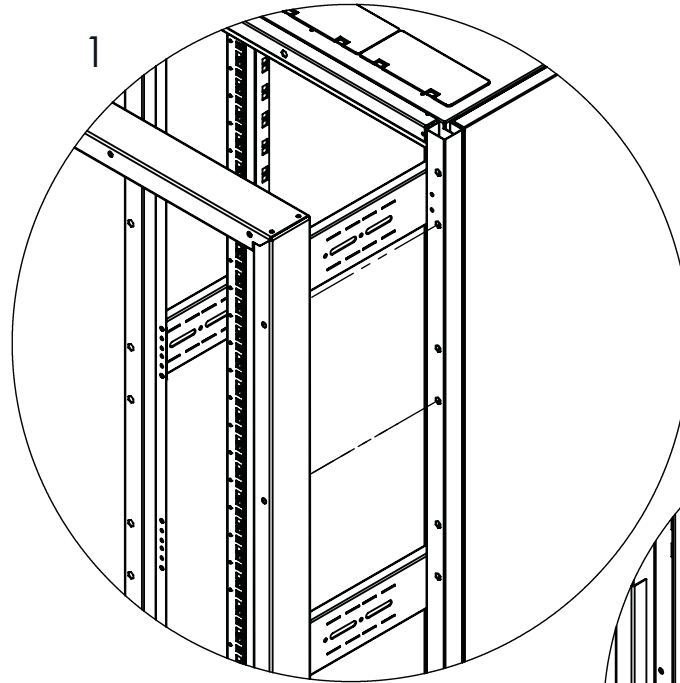
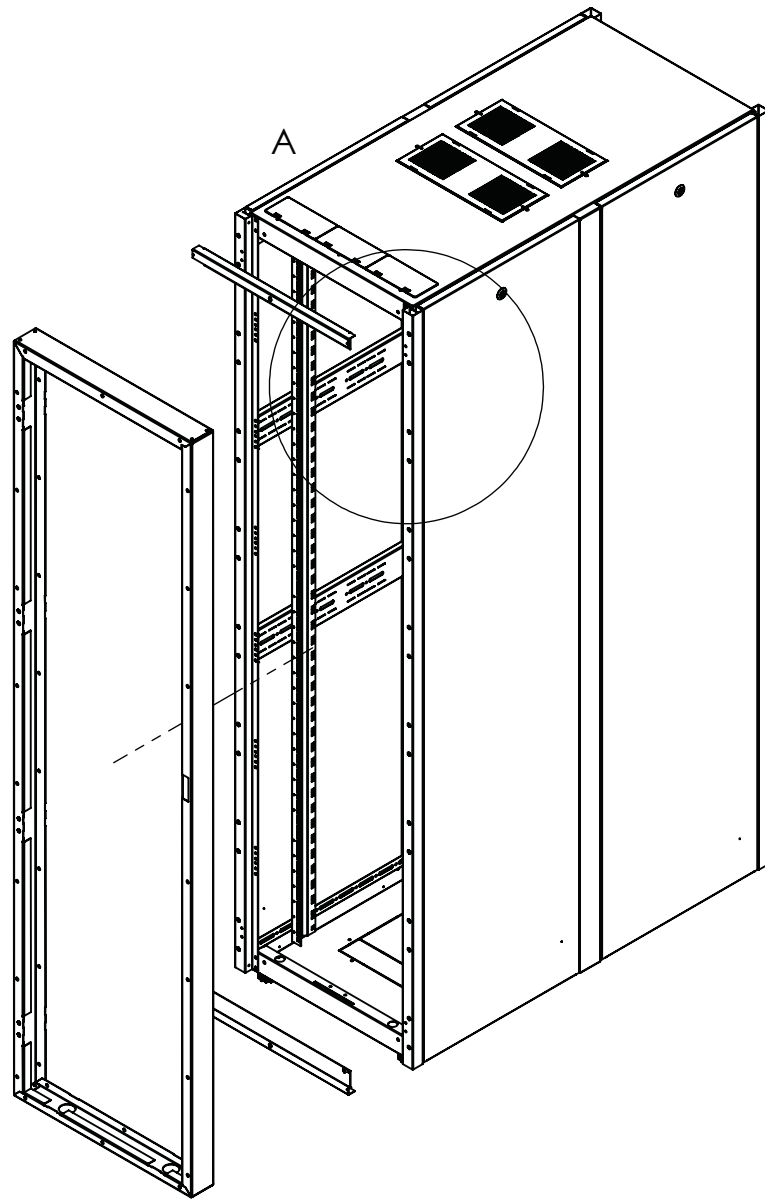
ISOMETRIC VIEW



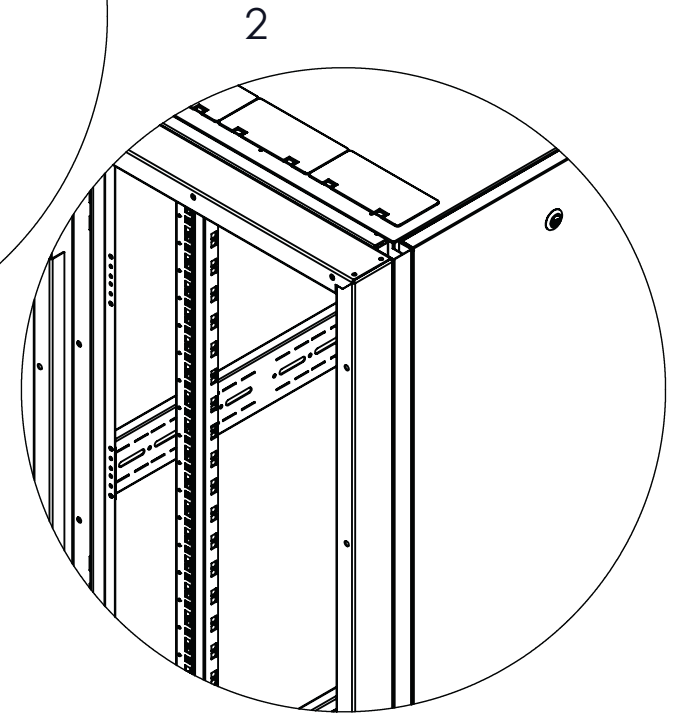




PART NU.	PART NAME/DESCRIPTON	QTY.
1	TOP CHASSIS	1
2	BOTTOM CHASSIS	1
3	CORNER PROFILE	4
4	SIDE RAIL HOLDER	4
5	48U RAIL	4
6	COVER SEPERATOR	2
7	SIDE DOOR	4
8	TOP AND BOTTOM CLOSURE	2
9	FRAME	1
10	ABS FAN HOLDER	2
11	CABLE ENTRY	3
12	LOCK	4
13	CASTER SETS LEVELING FEETS	1



DETAIL A



DETAIL A