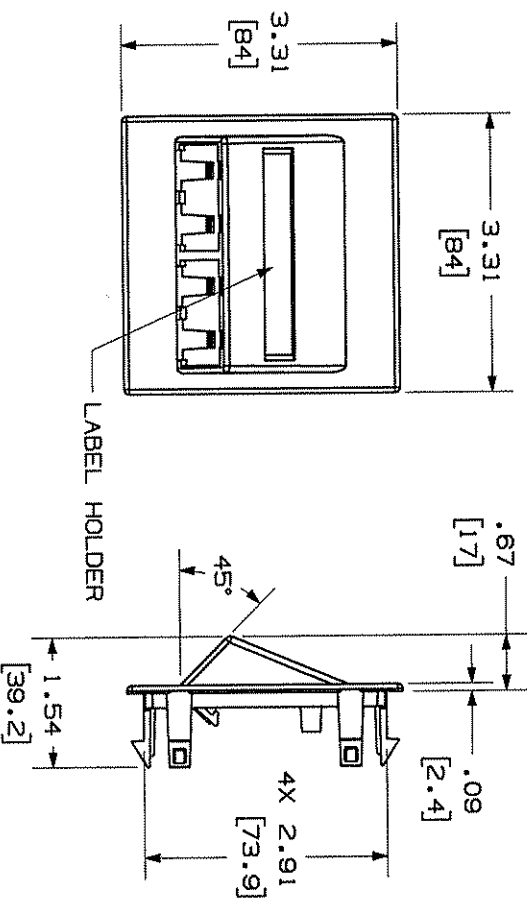


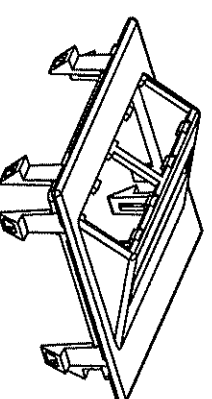
THIS COPY IS PROVIDED ON A RESTRICTED BASIS AND IS NOT TO BE USED IN ANY WAY DETRIMENTAL TO THE INTERESTS OF PANDUIT CORP.



PANDUIT P/N	WEIGHT
CFTSL4**	.64 LB/10 PCS (289.0 g/10 PCS)

NOTES:

1. SEE CURRENT CATALOG FOR ADDITIONAL PART NUMBER SUFFIXES TO INDICATE COLOR AND OR PACKAGE QUANTITY. SEE CATALOG FOR COMPLETE LIST OF PARTS APPLICABLE FOR USE WITH THIS PART.
2. DIMENSIONS IN PARENTHESES ARE IN METRIC.
3. FACEPLATE ACCEPTS 4 MINI-COM JACKS.
4. FACEPLATE COMES WITH LABEL AND LABEL COVER.
5. FACEPLATE WORKS WITH THORSMAN™ TRUNKING T5507003(INKA), T5507000 (INKA), AND T5526010(TEK).



THORSMAN IS A TRADEMARK OF THORSMAN & CO. AB CORPORATION, NYKOPING, SWEDEN.

CAD FILENAME/LAYERS M00976BC_DC_02B.PRT

PANDUIT CORP., TINLEY PARK, ILLINOIS

MINI-COM™ 4 POSITION SLOPED FACEPLATE FOR USE WITH THORSMAN™ TRUNKING (CFTSL4**) CUSTOMER DRAWING

UNLESS OTHERWISE SPECIFIED, DIMENSIONAL TOLERANCES ARE:
(.XX) ± .03(1.81) ANGLES ±
(.X) ± .01(0.3)
UNLESS OTHERWISE SPECIFIED, ALL DIMENSIONS ARE GIVEN IN INCHES, THIRD ANGLE PROJECTION.

DRAWN BY JSP	DATE 2-22-01	CHECKED BY MECA	SCALE NONE	DWG NO. 00976-02	DWG SIZE A
MT'L	ABS				

REV	DATE	BY	CHK	DESCRIPTION	ECN	CHK	CUST	SUP
1	10-10-02	JSP	<i>hba</i>	A. REVISED TITLE.	00976-02	<i>hba</i>	<i>hba</i>	
R	2-22-01	JSP	MECA	RELEASED TO PRODUCTION.	00976-02			