

# FREE STANDING VEGA SERIES

---



AGER VEGA Series Cabinets; designed for data centers, system rooms and telecommunication. They are the appropriate solution for your heavy equipment with strong structure and 1000kg loading capacity. They can be customized. Keeps your servers safe by working smoothly with air conditioning, cable management and other intelligent system applications.



## Colour Options

RAL7035 Light Gray

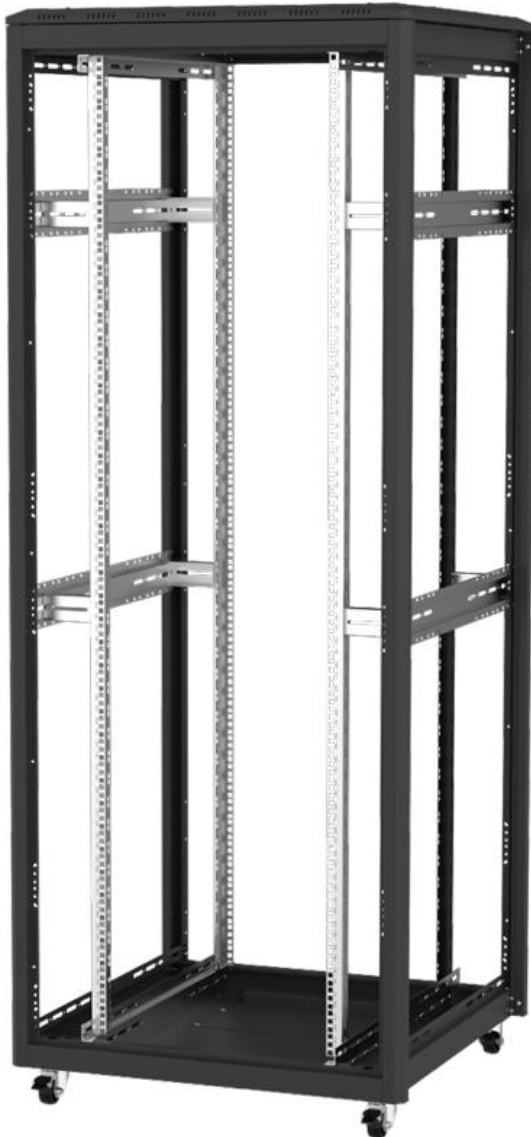
RAL9005 Black

[www.ager.com.tr](http://www.ager.com.tr)

1

 **AGER** FREE STANDING **VEGA** SERIES





### **Cabinet Structure**

Vega series cabinets reach the maximum strength with 45-degree vertical profiles fixed to special design monoblock welded bottom frame with steel screws. It is an ideal solution for your heavy equipment with up to 1000kg loading capacity.

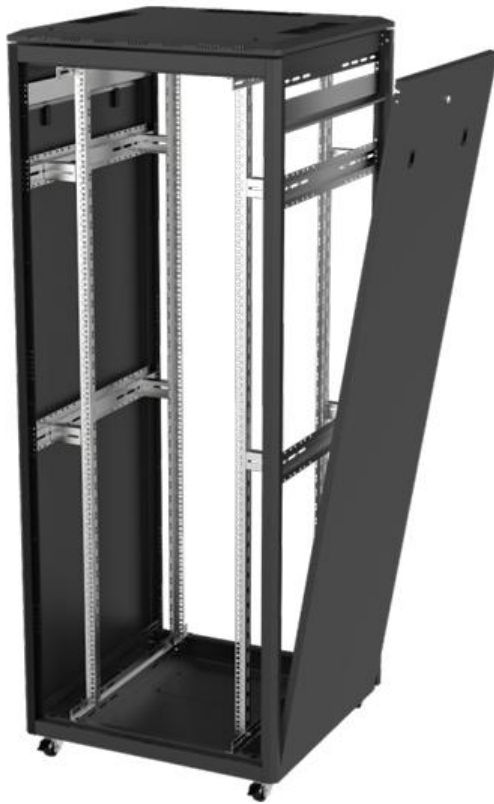
The cabinets could be mounted side by side. They are network and server cabinets; suitable for office, system room, data centre, and cabling system installation. Compatible for all kind of 19" brands and models network and server equipments

During installation and while conducting routine maintenance and repair of installed equipment; removable side panels, rear door and the top plate allows to multiple easy access. Optimum depth for comfort cabling, server housing and equipment in the cabinets

Side panels, Front and rear doors are lockable and accessible with the same key. Front and rear doors could be detached and reversed to allow the door to open from the rear of the cabinet.

### **U Numbering**

U numbering is printed with serigraphy to the mounting rails of the cabinet which helps to index of the devices housed in the cabinet.



### Side Panels

The side panel model of VEGA series cabinets allows easy removal of side panels during assembly, maintenance and repair. The cylindrical locking mechanism is used on the panels.

### The Additional Side Panels

The additional side panels are fixed inside the cabinet which increases the strength of the cabinet and creates space for the installation of wiring and PDU accessories inside. Optionally, these panels could be perforated if additional ventilation is required in the cabinet.





### **Top Cable Entry**

In 600 width standard cabinets, there is no cable entry on the top of the cabinet.

In 800 width standard cabinets have cable entries on the top with the dimension of 70\*316m.

If needed, the configuration can be changed.



### **Bottom Cable Entry**

There is a 250\*350 sliding cable entry for 600 wide standard cabinets. The cables entering the cabinet are clamped without being damaged because of the cable entry module with rubber edge and maximum sliding distance. Protection against undesirable substances and dust that could enter under the cabinet is provided.

In 800 width cabinets; additionally to the 600 width standard cabinets, two pieces 70 \* 316 brushed cable entry halls are available that offers 3 different cable entry points from the base of the cabinet. If needed, the configuration can be changed.



### **Side Horizontal Support Bar**

Cabinets are supported by side horizontal support bar through depth and height directly proportional.



### **Wheel**

Optionally, a wheel group with and without brakes is offered.

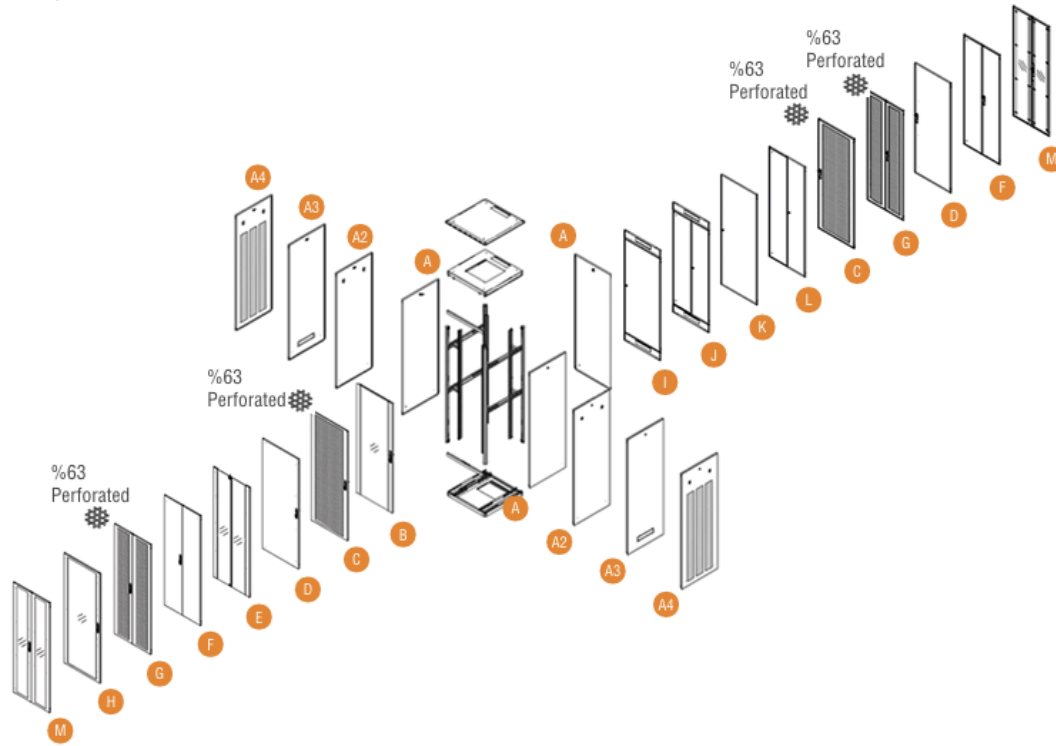


### **Pinion Feet**

The height of the cabinet and its balance can be adjusted according to ground conditions with 4 height-adjustable pinion feet optionally attached to the lower corners of the cabinet.



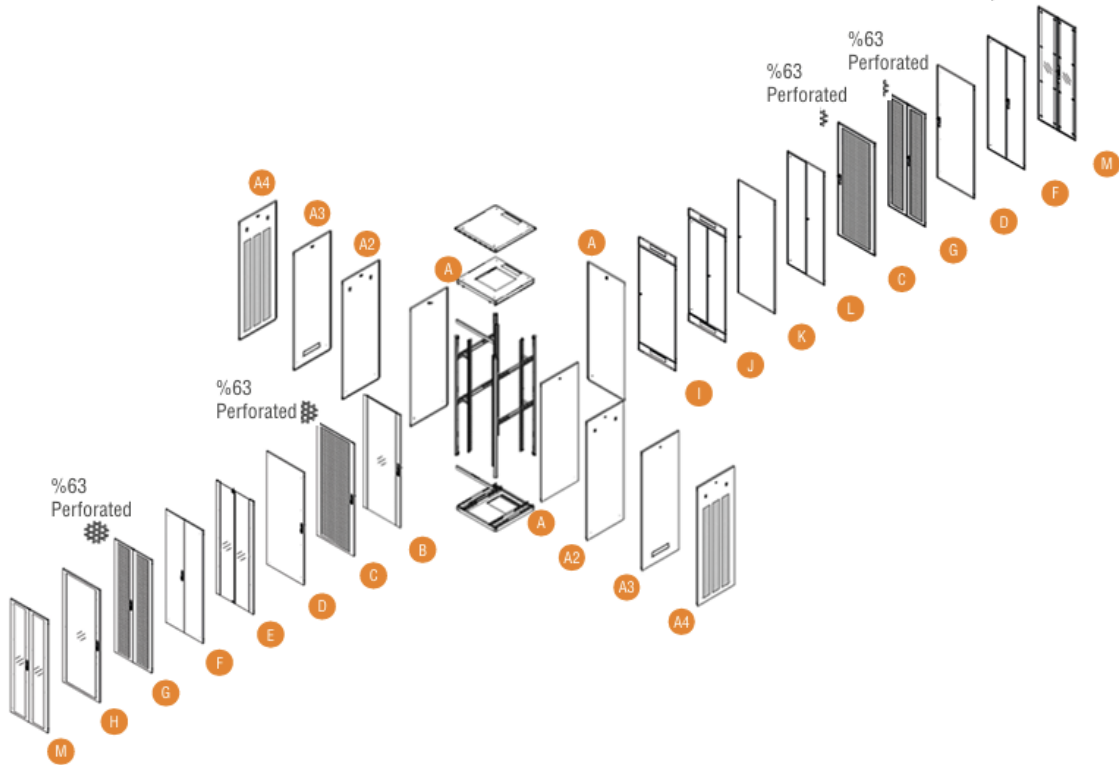
**AGER** FREE STANDING VEGA SERIES



AG	-	VG	42U	60	60	S1	-	B	A	A	-	A	-	M1	
1		2	3	4	5	6		7	8	9		10		11	12

1. Company product coding system's initial character is AG that stands for AGER.
2. Product Series Code. VG stands for VEGA Free-Standing,
3. Numeric Character defining the height of the cabinet. Depending on model differences, between 07 to 48 height variety available. U Height Alfanumeric Notation is fixed, not editable. 1U is 44.45mm.
4. The First two Digits of the width information. 60 for W:600mm cabinets, 80 for W:800mm cabinets
5. The First two Digits of the depth information, 60 for D:600mm cabinets, 80 for D:800mm cabinets, 10 for D:1000mm cabinets, 11 for D:1100mm cabinets, 12 for D:1200mm cabinets
6. Colour Codes. B1 for Light Gray RAL 7035. S1 for Black RAL 9005.
7. Front door variation number.\*
8. Rear door variation number\*
9. Right Side Panel variation number.\*
10. Left Side Panel variation number..
11. Version information. A- Standart version. The version is changed alphabetically when any alteration made to the cabinet
12. Indicate how the cabinets' shipped. M1 for assembled, D1 for flat pack.

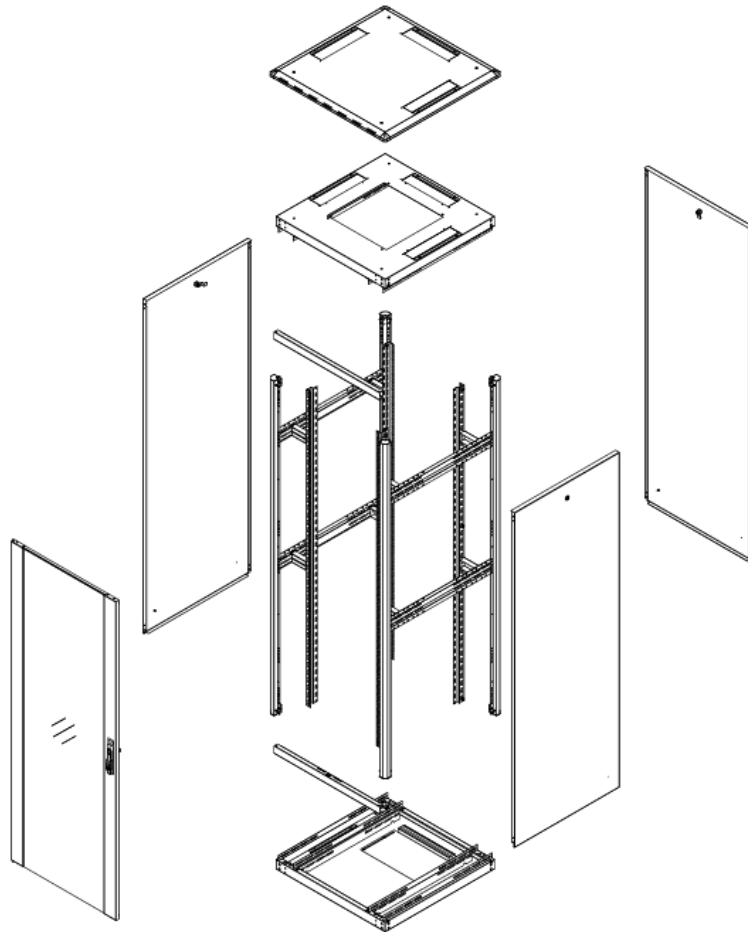
\* YOU CAN CHECK THE DOOR OPTIONS FOR DOOR AND PANEL VARIATIONS...



AG	VG	42U	60	60	S1	B	A	A	A	A	M1
1	2	3	4	5	6	7	8	9	10	11	12

### Free Standing VEGA Series DOOR Options

- A** Single Opening, Flat Shaped, Solid Metal, Snap Locking and Single point Locking with Barrel Lock, Panel.
- A2** Single Opening, Flat Shaped, Fully Metal-Framed Type, "O"-Locked Single-Point Locking Panel with 2 Sliding Locks
- A3** Single Opening, Flat Shaped, Fully Metal-Hinged Type, "O"-Locked Single-Point Locking Panel with 1 Microjointed Breakable Cable Pass-Through
- A4** Single Opening, Flat Shaped, 3 Perforated Frames, Fully Metal-Hinged Type, "O"-Lock Single-Point Locking and Sliding Lock Panel
- B** Single Opening, Flat Shaped, Glass Door with Frame, Single Point Locking with Handle.
- C** Single Opening, Flat Shaped, Complete Framed %63 Perforated, Metal Front Door, Single Point Locking with Handle.
- D** Single Opening, Flat Shaped, Solid Metal Front Door, Single point Handled Locking
- E** Double Opening, Flat Shaped, Glass door with frame, 2 Point Locking with Barrel Lock, Top and Bottom
- F** Double Opening, Flat Shaped, Solid Metal Front Door, 3 Point Locking with Handle and Hinges
- G** Double Opening, Flat Shaped, Complete Framed %63 Perforated, Metal Front Door, 3 Point Locking with Handle and Hinges
- H** Single Opening, Flat Shaped, Glass Door with Complete Frame, Single Point Locking with Handle
- I** Single Opening, Flat Shaped, Solid Metal Rear Door, Single point Locking with Barrel Lock, Top/Bottom Cable Entry Holes
- J** Double Opening, Flat Shaped, Solid Metal Rear Door, 3 point Locking with Barrel Lock and Hinges, Top/Bottom Cable Entry Holes
- K** Single Opening, Flat Shaped, Solid Metal Rear Door, Single point Locking with Barrel Lock,
- L** Double Opening, Flat Shaped, Solid Metal Rear Door, 3 Point Locking with Barrel Lock and Hinges
- M** Double Opening, Flat Shaped, Fully Framed Glass Covered, Metal Front Door, 3-Point Locking Handle Lock, Bottom/Top Hinge Locking,



#### Material

- 0,8 mm - 2mm DKP

#### IP Classification

- As a standard IP20
- IP40 when solid metal panel applied for all access

#### Color Options

- RAL9005 Black
- RAL7035 White

#### Loading Capacity

- Recommended up to 1000 kg Loading capacity

#### Doors

- Door options are available.
- Single point locking system
- Doors can be opened to 110 degree.
- Doors can be opened to left or right direction

#### Mounting Rails

- 19" Mounting rails; adjustable in depth of the cabinet
- 1.5mm DX51D galvanic

#### Side Panels

- Locking system is available, Side panels are removable.

#### Bottom

- Cable brush hole/holes are available.
- Sliding cable panel

#### Rear Door

- Brushed cable entry holes available bottom and top side of rear door
- Rear door is lockable.
- Rear door options are available

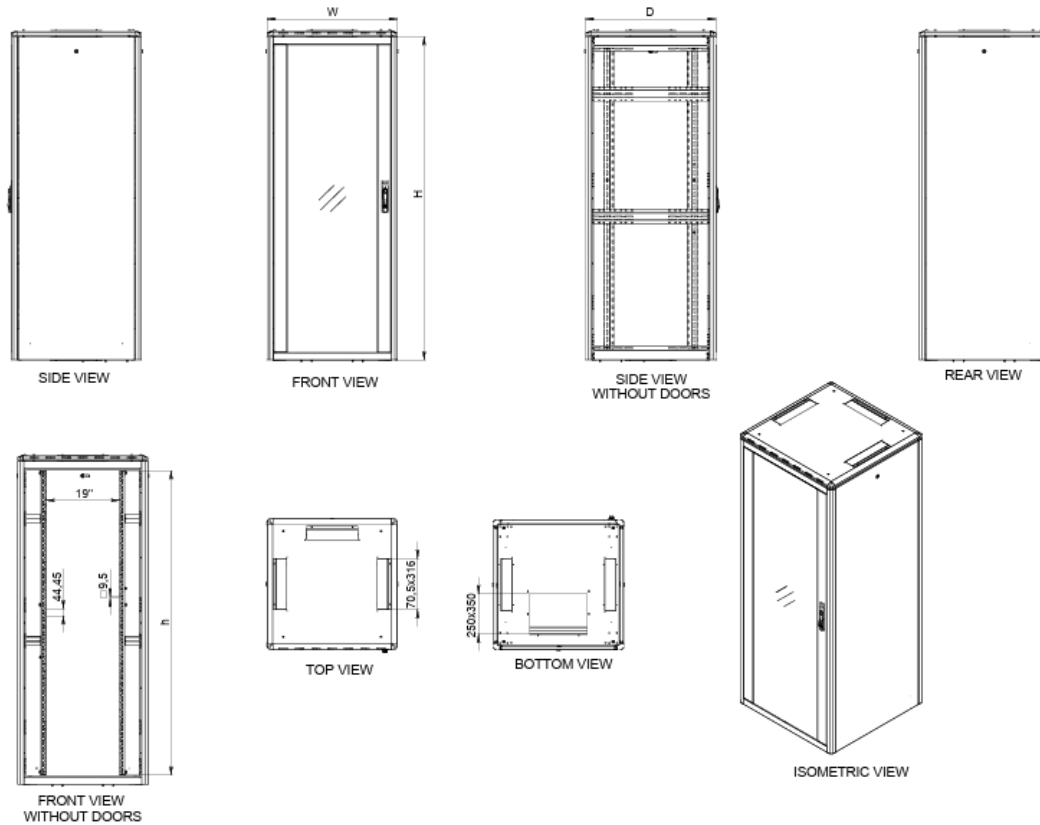
#### Ground contact

- Caster and levelling feet options are available
- Plinth is available as an option.

#### Top Sheet

- Cable brush hole/holes are available.
- Fan module is available as an option.

**AGER** FREE STANDING VEGA SERIES



19" Ager Vega Free Standing Cabinets W=800mm D=800mm								
Product Code	Product Description	Height Size in U	Width (W) (mm)	Depth (D) (mm)	Height (H) (mm)	Weight (Net) (kg)	Weight (Gross) (kg)	
AG-VG12U8080XX-0000-A-YY	12U 19" Ager Vega Free Standing Cabinet W=800mm D=800mm	12U	800	800	679	65,05	76,75	
AG-VG16U8080XX-0000-A-YY	16U 19" Ager Vega Free Standing Cabinet W=800mm D=800mm	16U	800	800	856	70,75	83,05	
AG-VG20U8080XX-0000-A-YY	20U 19" Ager Vega Free Standing Cabinet W=800mm D=800mm	20U	800	800	1034	76,45	89,35	
AG-VG22U8080XX-0000-A-YY	22U 19" Ager Vega Free Standing Cabinet W=800mm D=800mm	22U	800	800	1123	79,3	92,5	
AG-VG26U8080XX-0000-A-YY	26U 19" Ager Vega Free Standing Cabinet W=800mm D=800mm	26U	800	800	1300	85	98,8	
AG-VG32U8080XX-0000-A-YY	32U 19" Ager Vega Free Standing Cabinet W=800mm D=800mm	32U	800	800	1567	95,4	99,9	
AG-VG36U8080XX-0000-A-YY	36U 19" Ager Vega Free Standing Cabinet W=800mm D=800mm	36U	800	800	1745	102	117,2	
AG-VG42U8080XX-0000-A-YY	42U 19" Ager Vega Free Standing Cabinet W=800mm D=800mm	42U	800	800	2012	111	126,3	
AG-VG45U8080XX-0000-A-YY	45U 19" Ager Vega Free Standing Cabinet W=800mm D=800mm	45U	800	800	2145	115	131,6	
AG-VG47U8080XX-0000-A-YY	47U 19" Ager Vega Free Standing Cabinet W=800mm D=800mm	47U	800	800	2234	119	136,3	

XX = Colour Code, B1 White RAL 7035, S1 Black RAL 9005, during order please specify the colour choice  
 Please consider when used leveling feet 30mm add to Height, in castor add 80mm  
 0000 = Please check the Door Options page  
 YY = M1 for pre-assembled, D1 for flat pack